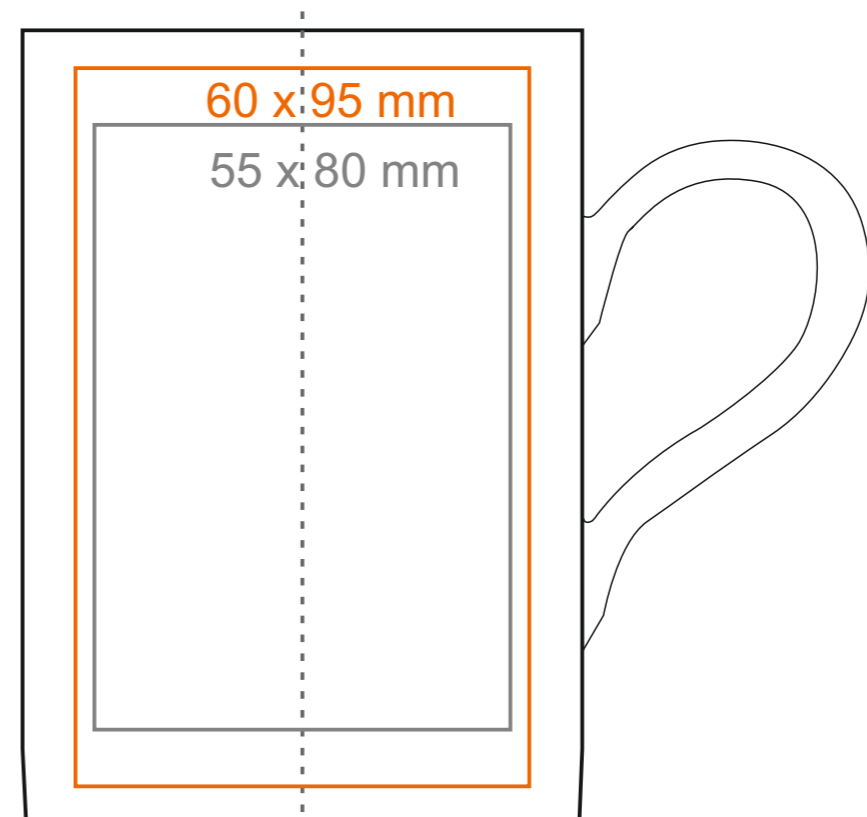
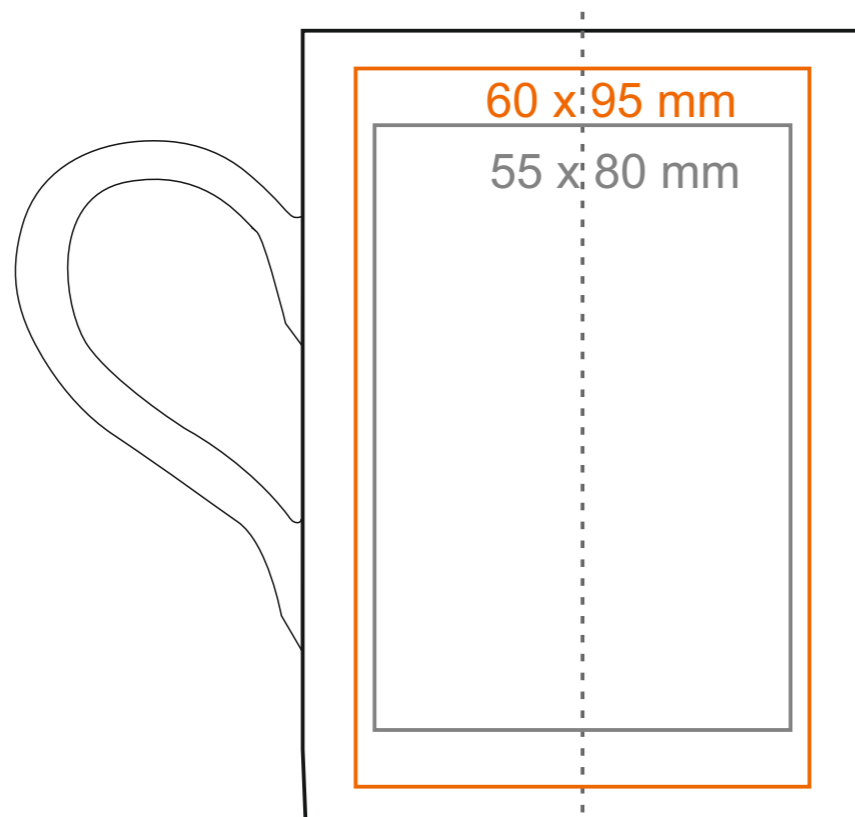
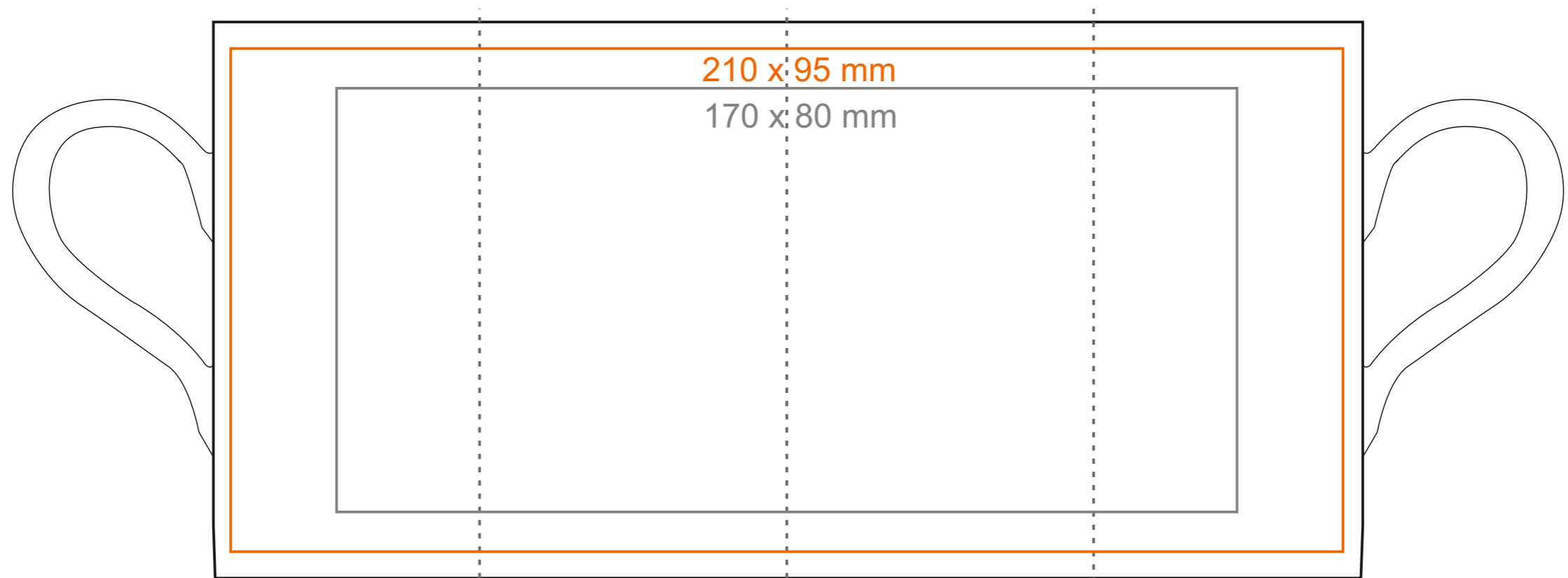


M_280 Tango

280 ml / h: 105 mm / Ø 74 mm



Imprint on the handle
Imprint on the inside
Imprint on the bottom inside
Imprint on the bottom outside

- 90 x 8 mm
- 45 x 20 mm
- Ø 40 mm
- Ø 40 mm

*In the case of projects for transfer print running outside of the standard print area, please contact our sales department.

[How to prepare print material](#)

meaning

- Transfer Print
- Sensitive Touch
- Direct Print